



***i-max 3D* XPRO**

MAKING LIFE EASIER

**NEXT PANORAMIC UNIT GENERATION
2D, 3D, CEPH VERSION**



Owandy
RADIOLOGY

20 YEARS OF INNOVATION

and **optimisation of manufacturing process**
with a highly specific goal:

respect for
the environment



MANUFACTURING

With product weight reduced from **210kg to 62kg**, fewer material resources are needed for Owandy's machines.



TRANSPORT

A lighter product **significantly lowers CO² emissions.**



RECYCLING

Less waste to be recycled at the end-of-life stage.

MODERN TECHNOLOGY CAN BE COMPATIBLE WITH RESPECT FOR THE ENVIRONMENT

Because material resources are not infinite, Owandy Radiology has spent the last 20 years **innovating and optimising** its products in order to **reduce the quantity of materials required to produce them.**

LIFE CYCLE OPTIMISATION

As part of its **sustainable development** strategy, Owandy Radiology has **considerably reduced the carbon footprint of its products.**



UNPARALLELED IMAGE QUALITY



Super IGZO Technology

New generation of smart on-board sensor.

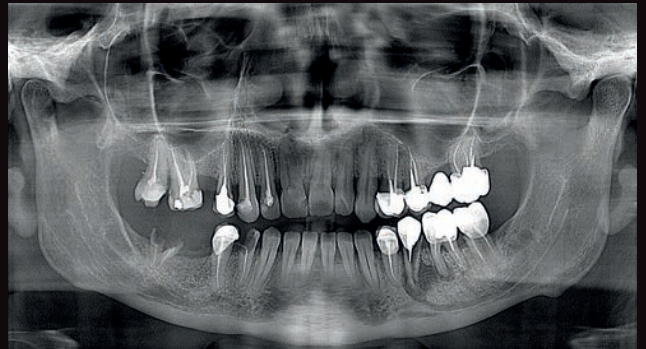
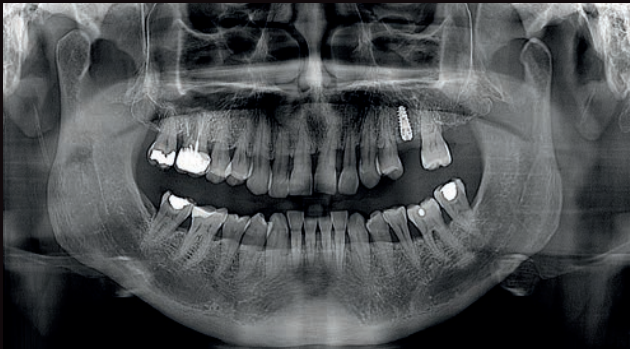
Many new technologies included:

- **TRUEVIEW ART** (automatic image sharpness reconstruction)
- **FOCUS** scintillator (ultra-low noise image creation)
- **DEPAI** (AI denoising processing)



LATEST SENSOR GENERATION WITH CMOS & SUPER IGZO TECHNOLOGY

Exceptional image quality while reducing X-Ray doses to protect your patients.

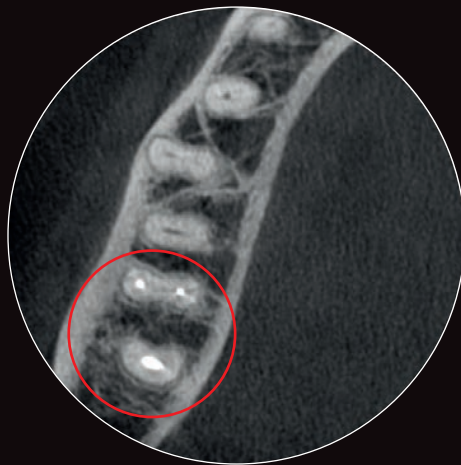
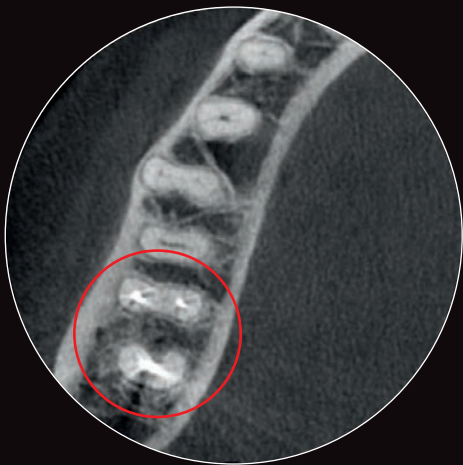


AutoMAR BY OWANDY (Automatic Metal Artefact Reduction)

Reduced artefact radiation thanks to our new algorithm.

Without AutoMar

With AutoMAR



COMPREHENSIVE RANGE 2D, 3D, CEPH VERSIONS

ULTRA-COMPACT DESIGN

The I-Max Pro range has been designed to be installed in any type of surgery configuration quickly and efficiently.

“FACE TO FACE” POSITIONING

Being in front of the patient creates optimum conditions for correct positioning.

BEST RATIO PERFORMANCE INVESTMENT

A range designed to deliver total satisfaction.

SCALABLE

Upgrade to a superior version depending on your requirements.

SOFTWARE COMPATIBILITY

I-Max PRO range is compatible with all major practice management software.

I-MAX PRO



I-MAX 3D XPRO



I-MAX CEPH PRO



I-MAX 3D CEPH XPRO



i-max *PRO*

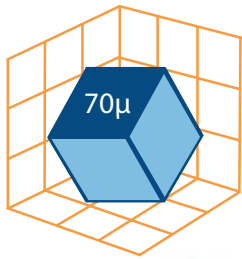
- Latest generation CMOS sensor
- Compact design (<1m²)
- Wall-mounted concept, Ø floor footprint
- “Face to face” positioning
- 24 2D programs

I-MAX PRO PANORAMIC



i-max 3D XPRO

- High definition images: 70 μ m
- Compact design (<1m²)
- Wall-mounted concept,
 \emptyset floor footprint
- “Face to face” positioning
- 20 3D programs
- FOV from 16x11 to 5x5 cm



I-MAX 3D XPRO CONE BEAM



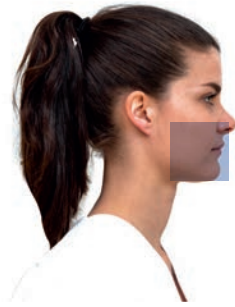
3D CONE BEAM MULTI-FOV (Field Of View)



16 x 11 cm
Full dentition,
TMJ, sinus, airways
(optional)



12 x 10 cm
Full dentition
with condyles



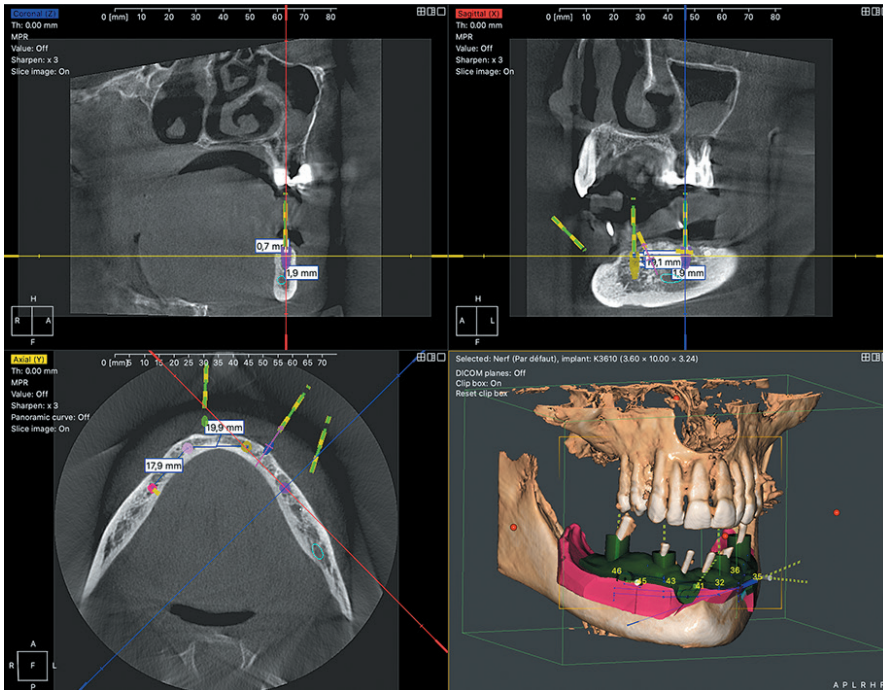
9 x 9 cm
Full dentition



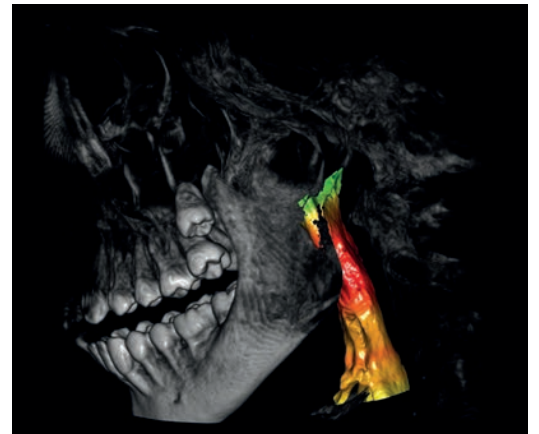
9 x 5 cm
Full arch



5 x 5 cm
Localized volume

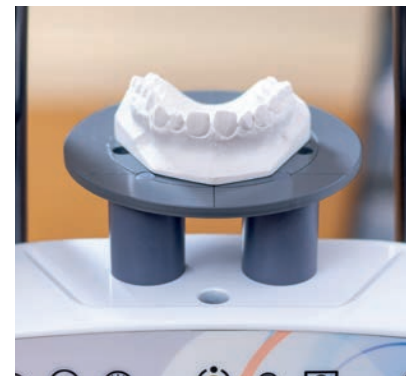


**SUPER IGZO TECHNOLOGY IS
A NEW SMART ON-BOARD
SENSOR GENERATION.**



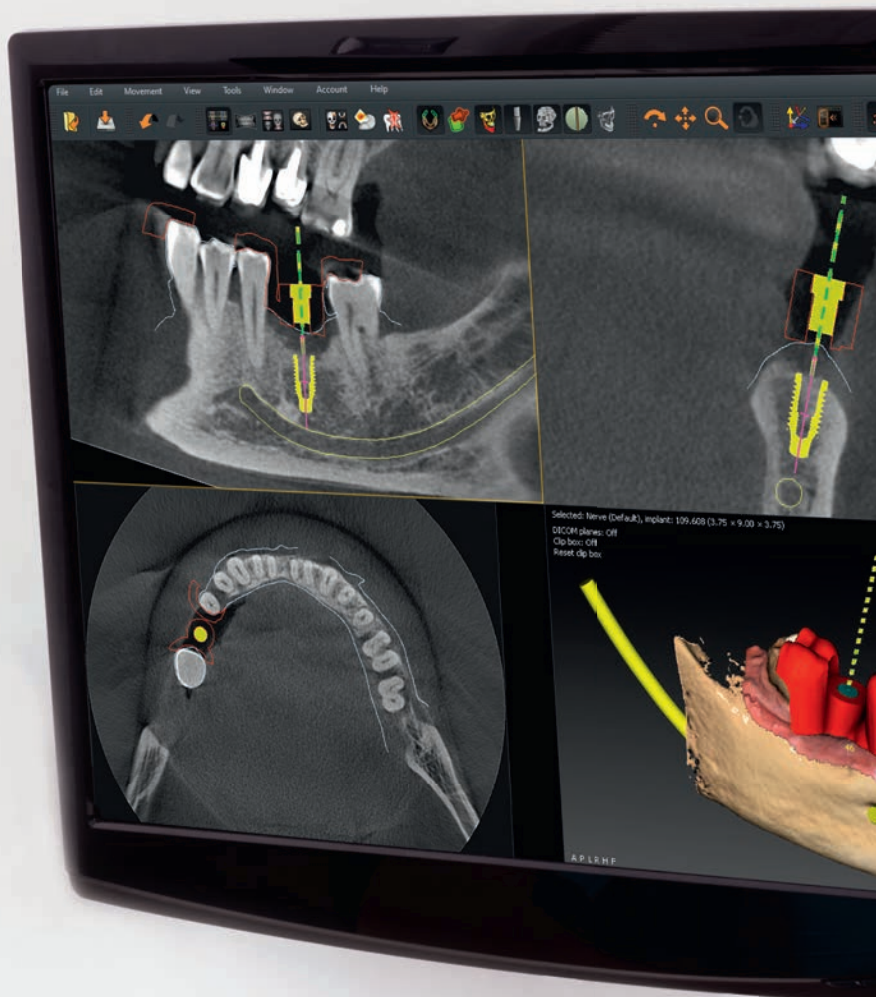
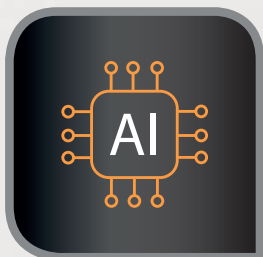
MULTIPURPOSE EQUIPMENT: 4 IN 1

Panoramic, 3D and cephalometric
images and 3D object scanner
(impression trays, plaster models).



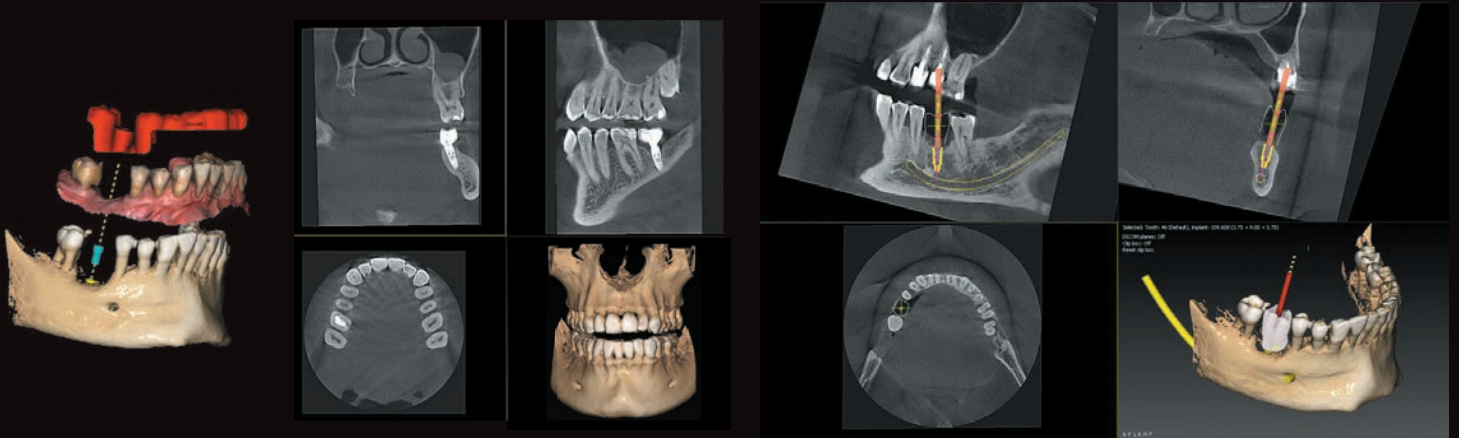
QUICKVISION 3D SOFTWARE

- Creation of surgical guides
- AI* automatic matching of .DICOM and .STL files
- CAD/CAM-ready (.STL file sharing)
- Management of entire digital workflow



GUIDED SURGERY: ACCURACY AND SAFETY

QuickVision 3D is a comprehensive and powerful software package that can be used to simulate implant placement on 2D and 3D models. **Import .STL files** from your laboratory or your dental impression camera.



CUSTOMISED TRAINING

Owandy also offers a remote training service.

Our experts are on hand to help, providing support for any request, from the most basic to the most complex (full arch guided surgery).

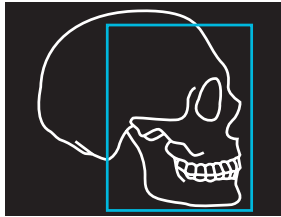
i-max 3D CEPH XPRO

- Ultra-compact unit: 185cm wide
- “Face to face” positioning
- Low dose
- 9 CEPH programs
- 200 types of exams with Ceph Analysis

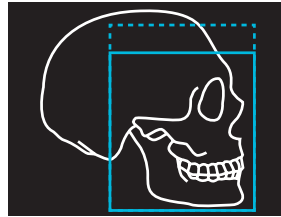
4 IN 1 I-MAX 3D CEPH XPRO



Lateral view
18 x 24 cm



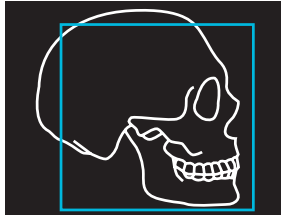
Lateral view 18 x 18 cm
(reduced dose)



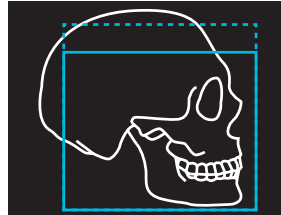
Frontal view
24 x 24 cm



Lateral view
24 x 24 cm



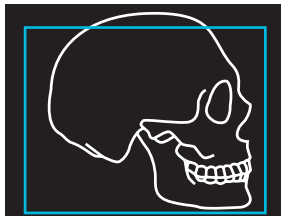
Lateral view 24 x 18 cm
(reduced dose)



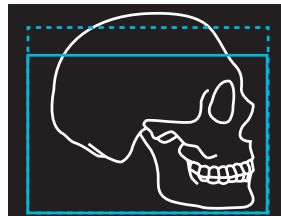
Frontal view 24 x 18 cm
(reduced dose)



Full skull lateral view
30 x 24 cm



Full skull lateral view
30 x 18 cm (reduced dose)

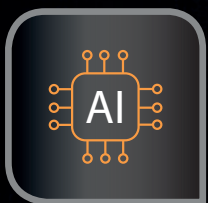
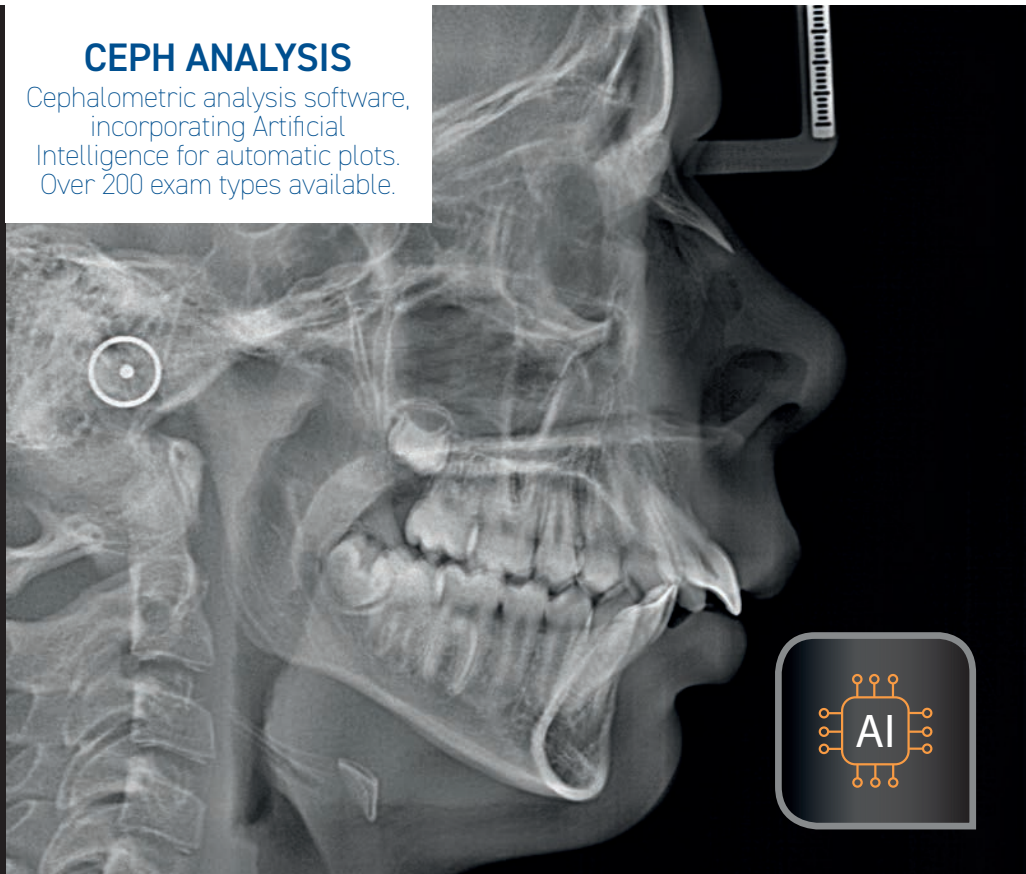
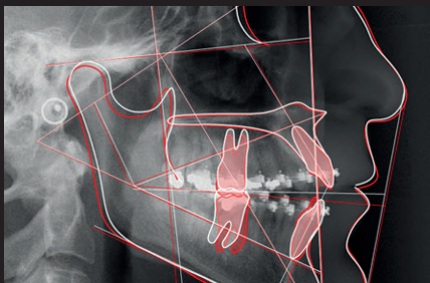
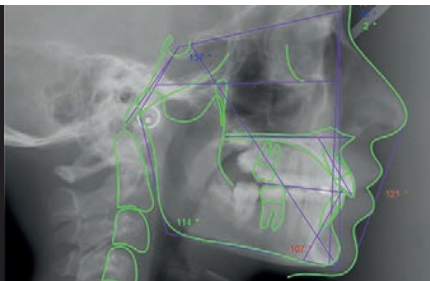


Carpus
18 x 24 cm



CEPH ANALYSIS

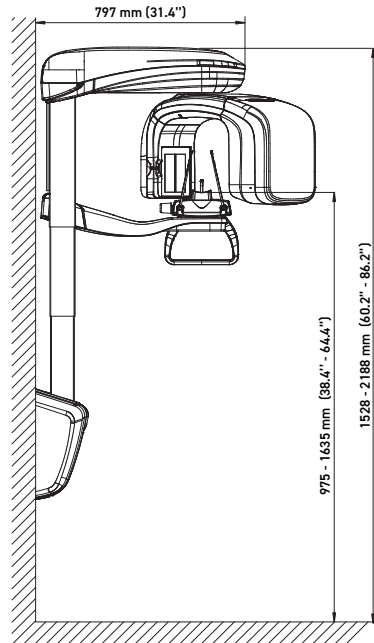
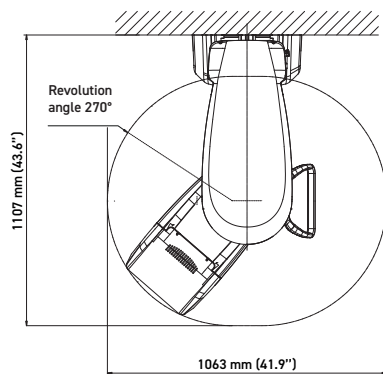
Cephalometric analysis software,
incorporating Artificial
Intelligence for automatic plots.
Over 200 exam types available.



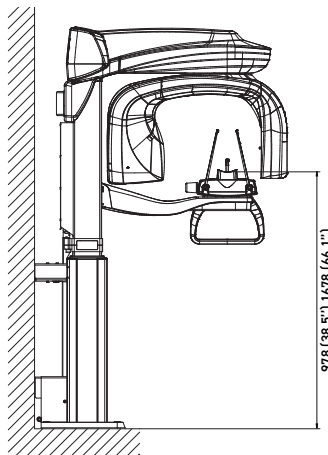
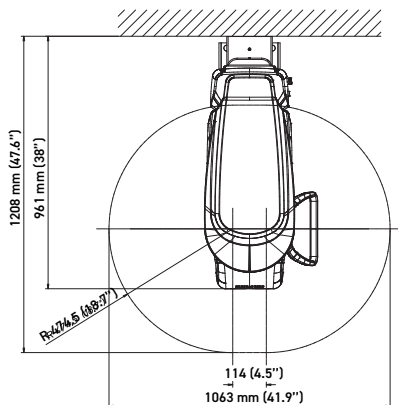
*Optional

TECHNICAL FEATURES

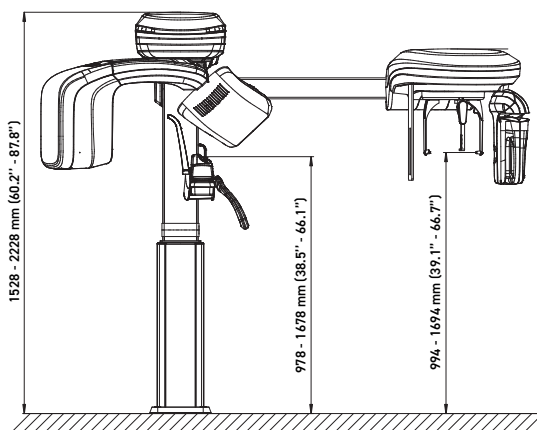
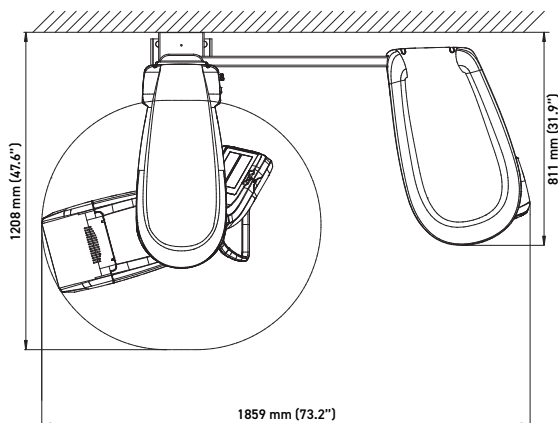
I-MAX PRO (Wall mounted)
I-MAX 3D XPRO (Wall mounted)



I-MAX 3D XPRO (Column)



I-MAX CEPH PRO (Column)
I-MAX 3D CEPH XPRO (Column)





	I-Max PRO (2D)	I-Max Ceph PRO (2D)	I-Max 3D XPRO		I-Max 3D Ceph XPRO
			Wall mounted	Column	
2D panoramic	■	■	■	■	■
3D Cone Beam			■	■	■
Cephalometry		■			■
FOV			16x11* / 12x10 / 9x9 / 9x5 / 5x5 cm		
Programs	24 2D programs	24 2D programs 9 Ceph programs	20 3D programs 24 2D programs Low Dose program		20 3D programs 24 2D programs 9 Ceph programs Low Dose program
Mounting	Wall	Floor + wall	Wall	Floor + wall	Floor + wall
Guarantee	2 years (optional 5 year** warranty)				
Installation options	• Floor base plate • Wall column	• Floor base plate	• Floor base plate • Wall column		• Floor base plate

	I-Max PRO (2D)	I-Max Ceph PRO (2D)	I-Max 3D XPRO		I-Max 3D Ceph XPRO
Category	IIb / CE0051				
Power supply	110-120 V, 220-240 V to 50/60Hz				
Anode voltage	from 60 to 70 kV	from 60 to 86 kV	from 60 to 90 kV		
Anode current	from 2 to 7,1 mA	from 2 to 12,5 mA			
Total weight	62 kg	118 kg	67 kg (wall mounted)	75 kg (column)	123 kg
Inherent filtration	2 mm Al eq. @ 70kVp	≥ 2,5 mm Al. eq@ 86kVp			
HF generator	Constant potential (DC)				
X-Ray focal spot	0,5 mm EN 60336				
Connection	LAN, Ethernet				
Voxel	N/A		70µm (min. cross-section depth)		

*Optional

**Warranty valid for sensor and generator

DIGITAL WORKFLOW OWANDY RADIOLOGY

A COMPREHENSIVE RANGE TO MEET ALL YOUR REQUIREMENTS



2024US02



2, rue des Vieilles Vignes - 77183 Croissy-Beaubourg - FRANCE
Tél. : +33 (0)1 64 11 18 18 - info@owandy.com - www.owandy.com